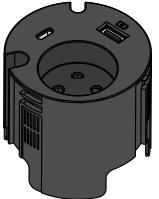




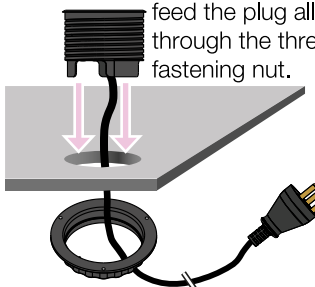
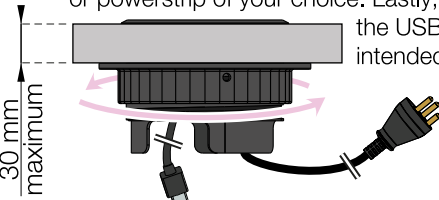


CONTENT:

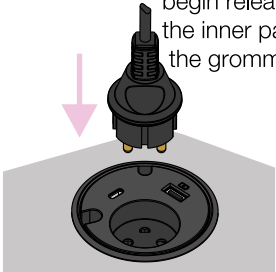
-  **x1**
-  **x1**
-  **x1**

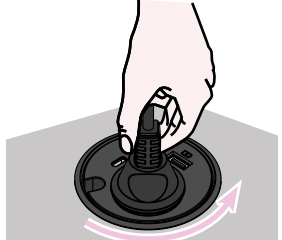
1 DRILL  $\varnothing 7.9$
 Drill a hole

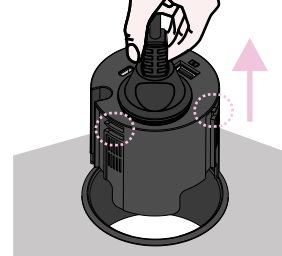

2 INSERT
 Insert grommet into the hole, then feed the plug all the way through the threaded fastening nut.






3 TURN CLOCKWISE & PLUG IN
 Turn the fastening nut as far up the thread as possible. Make sure that it has been thoroughly tightened. Plug the French plug into a wall socket or powerstrip of your choice. Lastly, connect the USB-C cable to the intended device.
 30 mm maximum

Note! The fastening nut has 3 holes for fixing with wood screws.

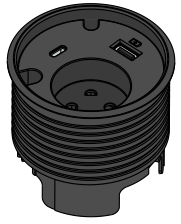
A ADJUSTING HEIGHT
 Connect plug to Powerdot to begin releasing the inner part of the grommet.


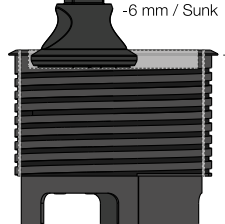
B RELEASE INNER PART
 Rotate plug counter-clockwise to release the inner part.


C ADJUSTING HEIGHT
 The inner part should now be loose. Adjust to desired level - see box: ADJUST LEVELS
 **Note!** Pay attention to the locking geometry as it will help with adjusting the inner part to the desired level.


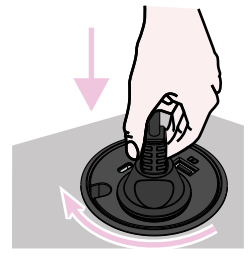
-  - 1 **USB Charger QC2.0 (Type-A)**
-  - 1 **Danish socket** /w 1250 mm cable
-  - 1 **USB Port (Type-C Female)** /w 1000 mm cable
-  - 2 **feed-throughs** ($\varnothing 7, \varnothing 9.5$ mm)

! ADJUST LEVELS
 Level 2 must be used when combined with the decorative accessories.

LEVEL 1
 0 mm / Flat


LEVEL 2
 -6 mm / Sunk


68
74

D LOCKING POSITION
 Rotate clockwise.


E LOCKING POSITION
 Rotate clockwise.
