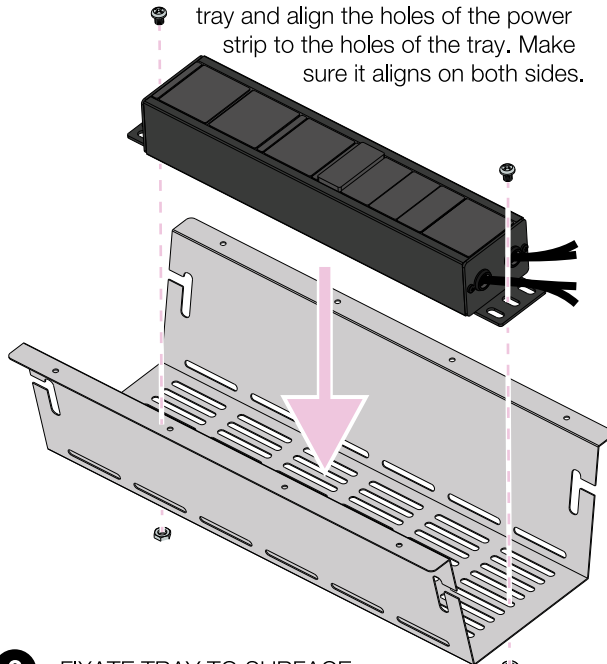


# Axessline Outlet Conference

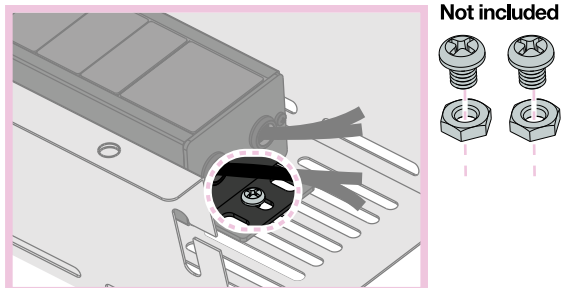
■ 935-T7DD



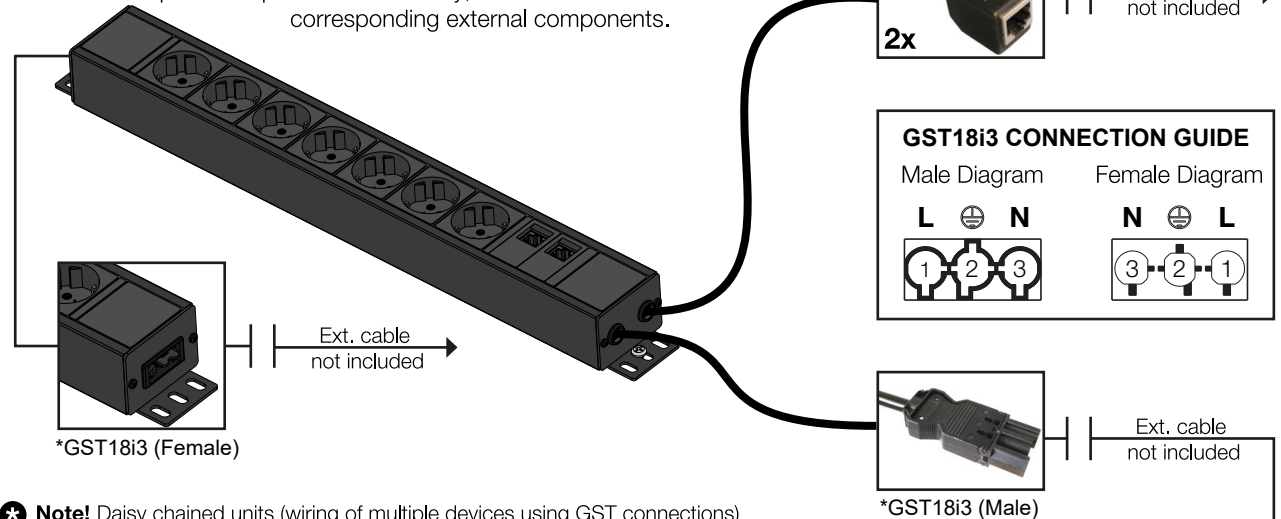
- 1** DECIDE & POSITION POWER STRIP  
Position the Axessline power strip on a compatible tray and align the holes of the power strip to the holes of the tray. Make sure it aligns on both sides.



- 2** FIXATE TRAY TO SURFACE  
For this step, **2x** M6 nuts & **2x** M6x8 screws are needed to fixate the power strip to the compatible tray (See **C**). Be sure to fixate to a tray or surface before continuing to the next step.



- 3** CONNECT  
Once the power strip is fixed to the tray, connect cables to corresponding external components.

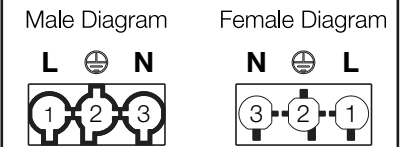


- \* **Note!** Daisy chained units (wiring of multiple devices using GST connections) maximum power consumption must under no circumstances exceed 3500 Watt.

## C COMPATIBLE TRAYS

- **429-FX05** Cable Tray Expand 950-1800 mm, silver
- **429-FX05W** Cable Tray Expand 950-1800 mm, white
- **429-FX05B** Cable Tray Expand 950-1800 mm, black
  
- **935-TK61** Axessline PDU Tray 670 x 220 mm, silver
- **935-TK61W** Axessline PDU Tray 670 x 220 mm, white
- **935-TK61B** Axessline PDU Tray 670 x 220 mm, black
  
- **429-4001** Cable Tray 720 mm, silver
- **429-4004** Cable Tray 720 mm, white
- **429-4002** Cable Tray 720 mm, black

## GST18i3 CONNECTION GUIDE



- Accessories:**
- GST18i3 ↔ Schuko
  - 935-BA20** 2.0 m
  - 935-BA30** 3.0 m
  - 935-BA50** 5.0 m

Cable cord specification  
H05VV-F according to EN50525-2-11  
minimum 3 x 1.5 mm  
OR  
Certified equivalent connector.

For indoor use only.  
**Temperature:** 5 - 45 °C  
**Humidity:** 20 - 80% RH

**IP code:** 20

**INPUT:** 250V, 16A, 50Hz  
**OUTPUT:** 250V, 16A, 50Hz (Grounded)  
Max 3500W ⚡