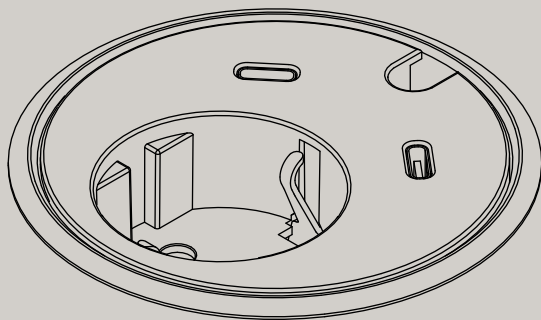


# POWERDOT<sup>17</sup>



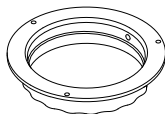
PARTS

---

(A) ×1 PCE



(B) ×1 PCE



## TOOLS

---

**T1** ×1 PCE

Ø 79mm  
NOT INCLUDED



### **GENERAL NOTES**

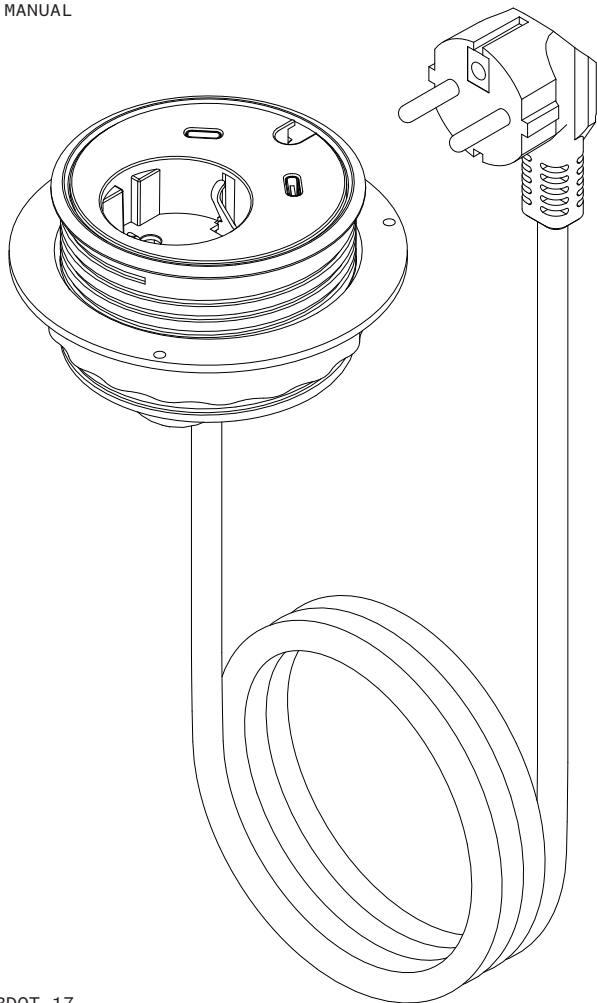
Before installation, all measurements and conditions must be verified on site. Neither Forming Function nor any of its distributors can be held liable for product malfunction or other defects as a result of improper installation.

### **GENERAL NOTES**

Avant l'installation, toutes les dimensions et conditions doivent être vérifiées sur place. Ni Forming Function ni ses partenaires commerciaux ne peuvent être tenus responsables des défauts du produit ou d'autres défauts pouvant être attribués à une mauvaise installation.

### **GENERAL NOTES**

Vor dem Einbau sind alle Maße und Bedingungen bauseits zu prüfen. Weder Forming Function noch seine Vertriebspartner können für Produktfehler oder sonstige Mängel, die auf unsachgemäße Installation zurückzuführen sind, haftbar gemacht werden



# POWERDOT<sup>17</sup>

1× SOCKET TYPE F, 2× USB-C CHARGER 30W, 1× CABLE GROMMET, BLACK/WHITE

## **ART. NO**

9358001709

BLACK

9358001701

WHITE

## **PRODUCT DATA**

DIAMETER

Ø83mm

HEIGHT

75 - 81mm

MOUNTING HOLE DIAMETER

Ø79mm

MAXIMUM TABLE THICKNESS

30mm

CABLE GROMMET DIAMETER

8mm

CABLE LENGTH

~1, 2m

PLUG TYPE

CEE 7/7

MATERIAL

POLYAMIDE

PROTECTION CLASS

IP20

MAXIMUM POWER OUTPUT

3500W

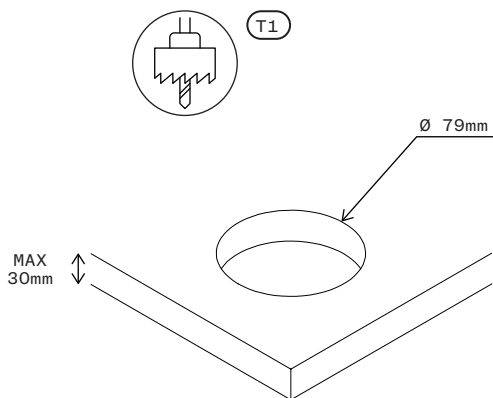
USB CHARGER SPECIFICATION

PD3.0 30W

## FORMING FUNCTION

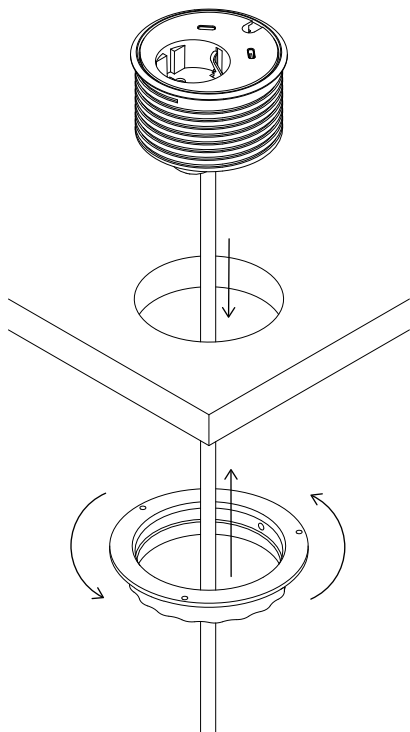
Good design is based on human experience. That is why we promise to put as much love into creating technology that works, as something designed to be seamless, cherished and loved - we don't compromise on function or form.

**STEP 1**



---

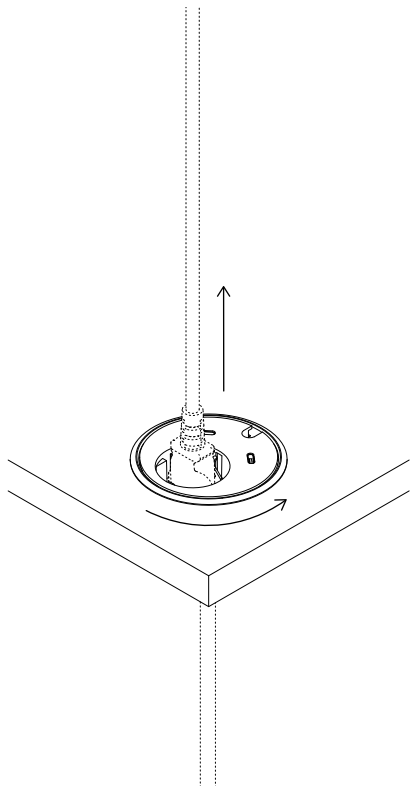
**STEP 2**





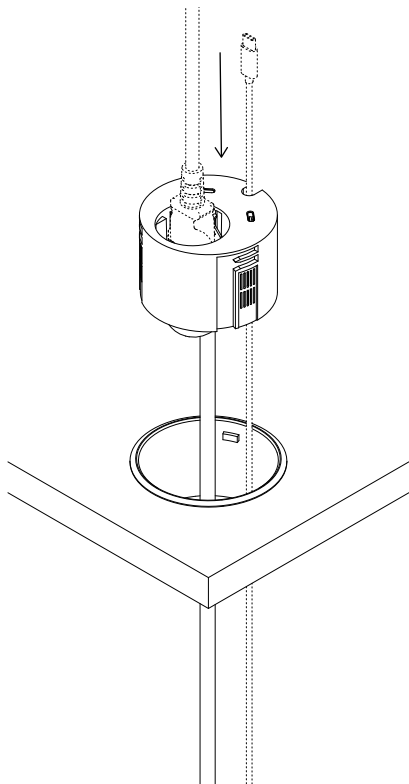
---

**STEP 3**

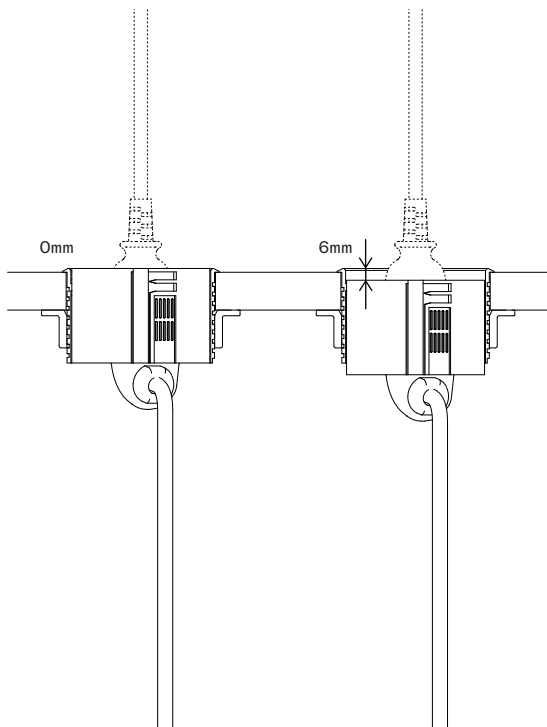


---

**STEP 4**

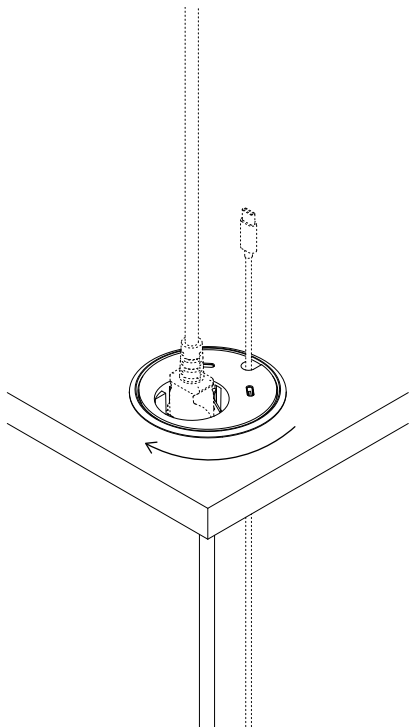


**STEP 5**



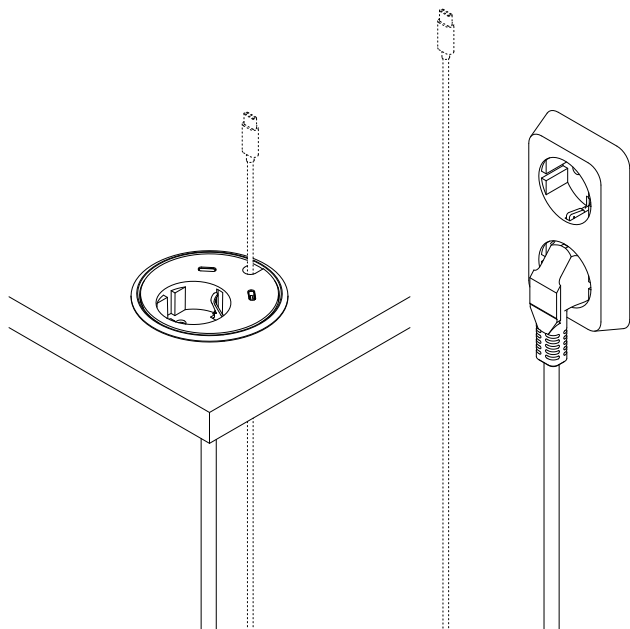
---

**STEP 6**



---

**STEP 7**



L