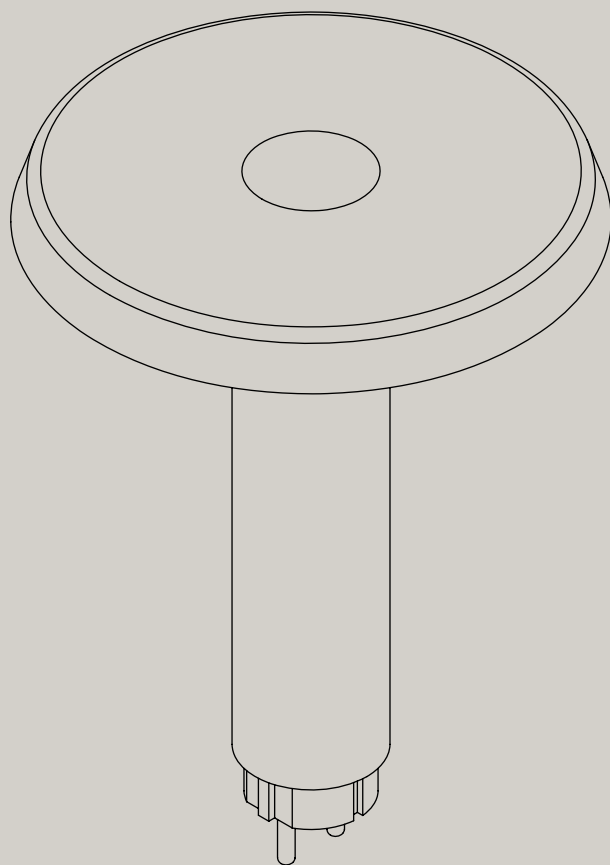
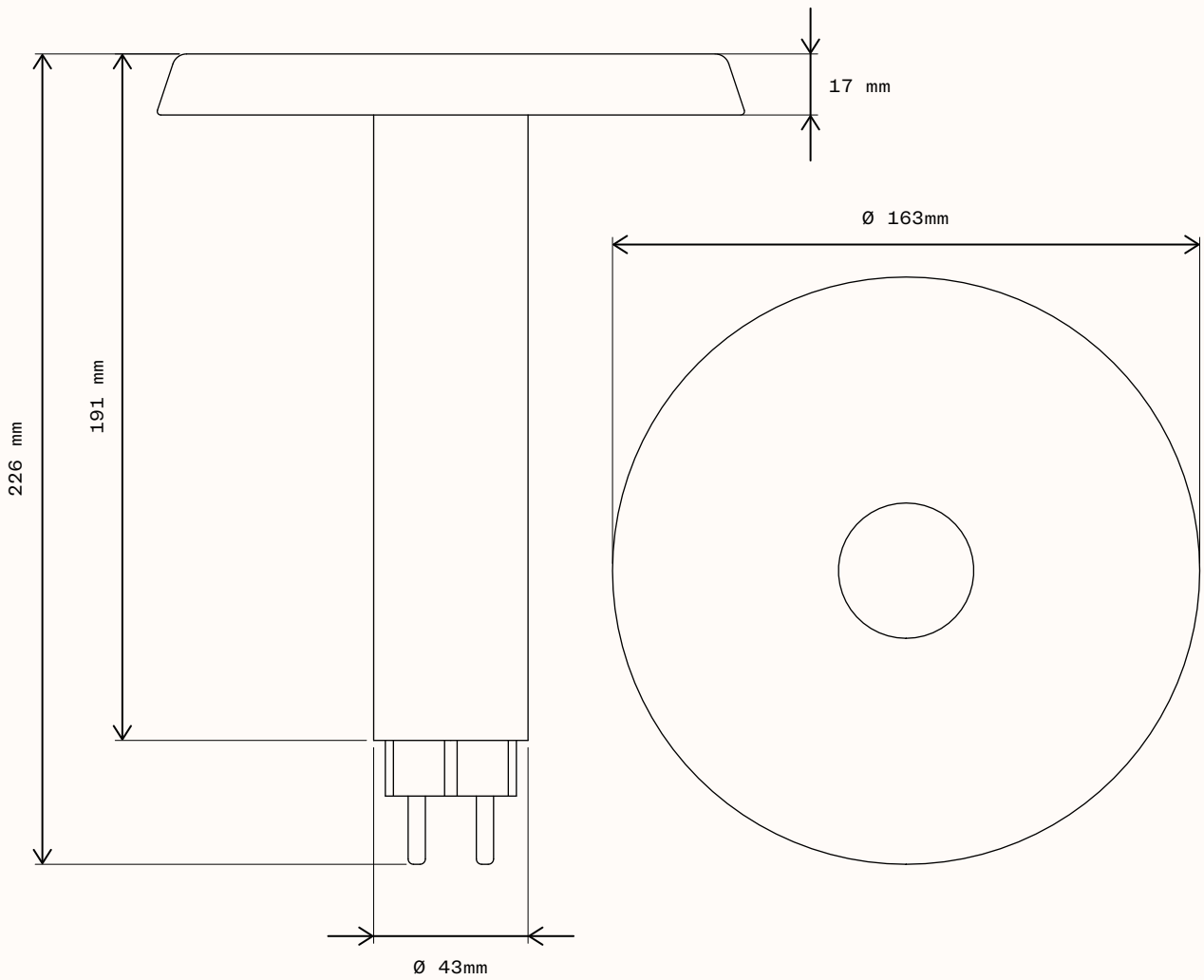


NOMAD LAMP⁰¹



Dimensions

See user manual for assembly instructions



Colours



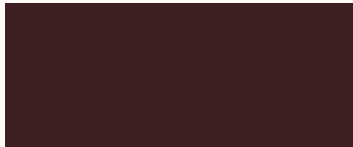
SIGNAL BLACK
RAL 9004
DEEP MATTE, FINE STRUCTURE



WHITE ALUMINIUM GREY
RAL 9006
MATTE, FINE STRUCTURE



STONE CYPRESS GREEN
RAL 160 50 15
DEEP MATTE, FINE STRUCTURE



BLACK RED
RAL 3007
DEEP MATTE, FINE STRUCTURE

NOMAD LAMP⁰¹

AMBIENT PLUG-IN LAMP

ART. NO

8604000109	SIGNAL BLACK	RAL 9004
8604000102	WHITE ALUMINIUM GREY	RAL 9006
8604000105	STONE CYPRESS GREEN	RAL 160 50 15
8604000106	BLACK RED	RAL 3007

Technical data

LIGHT SOURCE	INTEGRATED LED
CONTROL TYPE	TOUCH SENSOR
LAMP CONTROLS	ON/OFF, DIMMER
DIMMER TYPE	STEPLESS
MOUNTING	CONNECTS DIRECTLY INTO TYPE F SOCKET WITH CEE7/7 PLUG
LIGHT SOURCE LUMINUS FLOW	1300 lm
LIGHT SOURCE EFFICIENCY	140 lm/W
COLOUR TEMPERATURE (CCT)	3000 °K
COLOUR RENDERING INDEX	Ra > 80 CRI
LED LIFE LENGTH	25 000 h
MATERIAL CASING	ALUMINIUM
MATERIAL INNER COMPONENTS	PLASTIC
FINISH	POWDER COATED
PROTECTION CLASS	IP20
CERTIFICATIONS	CE, RoHS COMPLIANT
ENERGY CLASS	D
WARRANTY PERIOD	3 YEARS

Read before installation and usage



Do not cover

Electrical products may only be daisy-chained if integrated into a fixed installation. Normal power sockets may not be used for the connection to further socket rails.



Incorrect installation may endanger:

- Safety of the installer
 - Safety of the end-user and safety of the property.
- Incorrect installation may result in personal liability for damage of property or injury to persons.



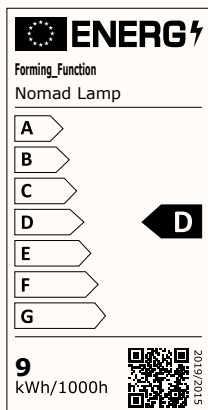
Electronic equipment is recyclable and should not be disposed of with household waste, if the device has reached the end of its life, dispose of at the recycling points in accordance with local regulations. Disposal with household waste is prohibited



The device may only be used in a dry indoor environment.

For safe installation please ensure the following:

- The 5 safety rules to apply: Disconnect mains; Prevent reconnection; Test for absence of harmful voltages; Ground and short circuits; Cover or close off nearby live parts;
- Choose proper tools, measuring devices and personal protective equipment
- Analyse measured results
- Selection of electrical installation material to ensure switch-off conditions
- IP protection ratings
- Fitting of electrical installation material;
- Type of the feeding system (TN system, IT system, TT system...) and the resulting switching conditions (classic zeroing, protective earthing, necessary additional measures, etc.).



RoHS
Compliant